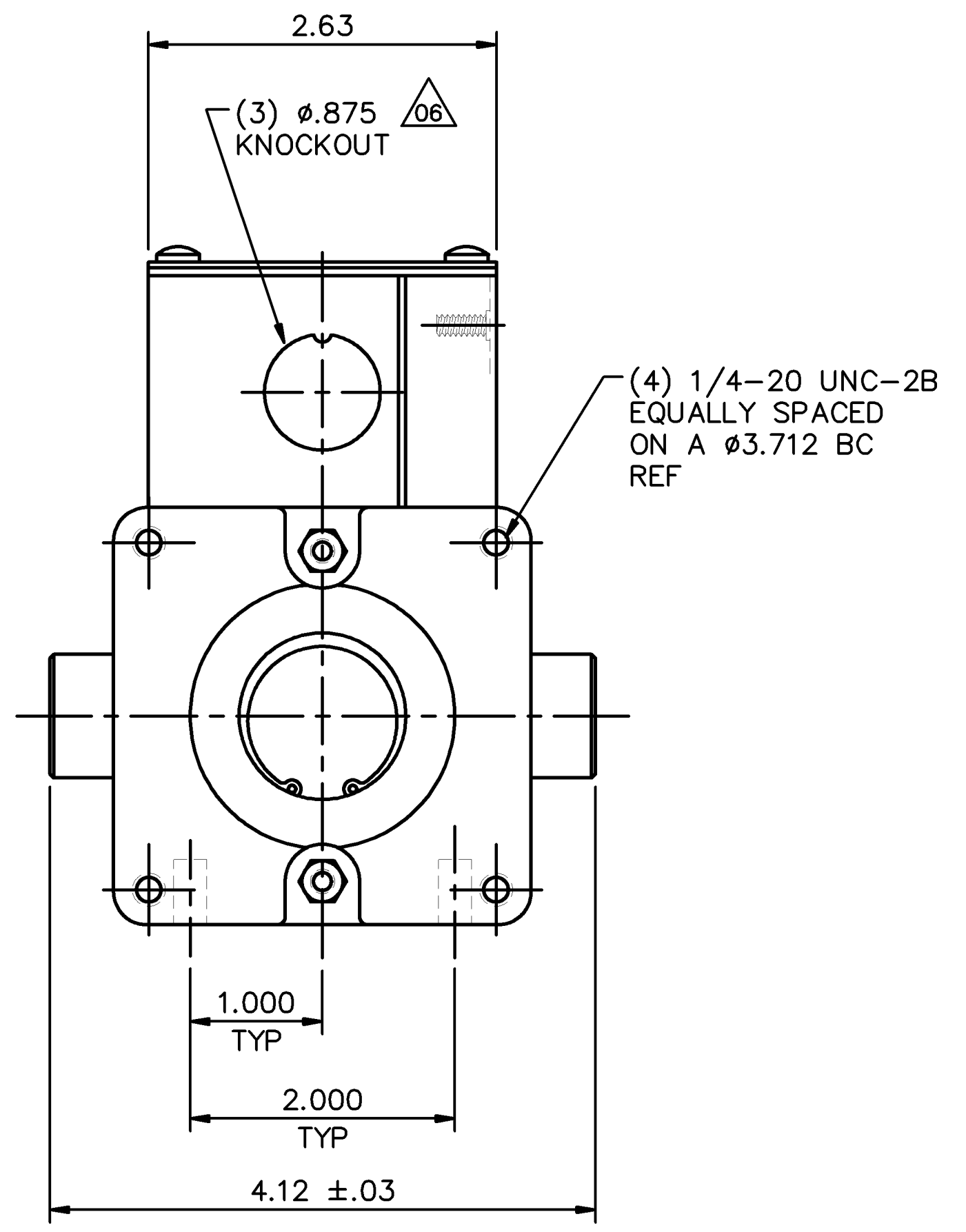


(2) LEADS 6.00 LONG MIN.



M1120046.00	7.89	7.42	9.39	12/24	1/6-1/3	1800-3900
M1120044.00	7.39	6.92	8.89	12/24	1/4-1/7	1750-3500
CATALOG NO.	"AG" DIM.	"B" DIM.	"C" DIM.	VOLT	H.P.	RPM

07	REWORDED KNOCK OUT NOTE PER 79956	BPW 05/13/02	SAD	TOLERANCES UNLESS SPECIFIED	ELECTRIC MOTORS GEARMOTORS AND DRIVES	DRAWN RLP 07/22/91
06	REDRAWN TO CURRENT STANDARDS	BPW 05/13/02	SAD	DEC. INCHES		CHK
05	ITEM M1120044.00: DIM WAS 7.39 WAS 6.89, 6.92 WAS 6.42, 8.89 WAS 8.39, ECR 79843	IPG 10/09/01	SAD	.XX ±.1	TITLE	APPD DWF 07/24/91
04	CORRECTED FLAT LENGTH	IPG 12/21/00	SAD	.XXX ±.03	OUTLINE	SCALE 5=8
03	REVISED NUMBER OF LEADS AND LENGTH	DWF 04/08/96	SAD	.XXXX ±.005	31 FRAME DC	REF M1030241.00
NO.	REVISION	BY & DATE	CHK	ANG ±1/2°	MAT'L.	FMF M1120044.00
THIS DRAWING IN DESIGN AND DETAIL IS OUR PROPERTY AND MUST NOT BE USED EXCEPT IN CONNECTION WITH OUR WORK ALL RIGHTS OF DESIGN AND INVENTION ARE RESERVED THIS IS AN ELECTRONICALLY GENERATED DOCUMENT - DO NOT SCALE THIS PRINT			RFP	FINISH	STANDARD	PREV
			DIST	CAD FILE	M1030247	SIZE
					B	DRAWING NO.
					M1030247.00	
					REV. 07	